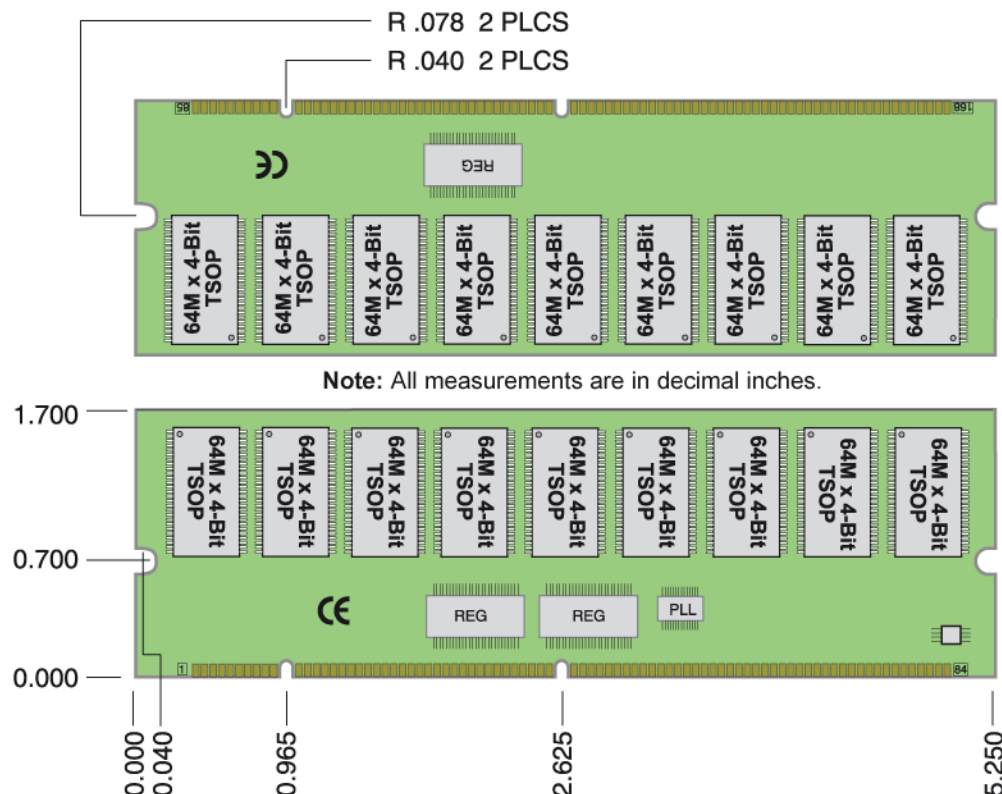


## Overview

Shikatronics' SSG-1G/SGI-100 is a kit of two pieces of 64M x 72-bit (512MB) PC100 CL3 (CAS Latency 3) Registered SDRAM (Synchronous DRAM) memory modules. The components on this kit include eighteen 64M x 4-bit SDRAM PC100 components in TSOP packages each module. This kit of 168-pin DIMM uses gold contact fingers and requires + 3.3V. The electrical and mechanical specifications are follows:

## Features

- |                          |  |
|--------------------------|--|
| ⌚ CLK Cycle Time (tCK)   | min. = 8.0ns (CAS Latency = 3) / max. = 1000ns |
| ⌚ Row Cycle Time (tRC)   | 65ns   |
| ⌚ CLK to Output (tAC)    | max. = 5.4ns (CAS Latency = 3)                 |
| ⌚ Single Power Supply of | +3.3V (+/- .3V)                                |
| ⌚ Power                  | 8.895 W (operating)                            |
| ⌚ UL Rating              | 94 V - 0                                       |



**Figure 1: SSG-1G/SGI-100 168-Pin SDRAM**